

# GAINER TANAX GT-R NISMO ( R35 )

## BODY SHELL

Official Licensed Product  
NO.48775

# killerbody™

1/10 RC PLANNING INSTRUCTION SHEET

This body can be used with 1/10 electric touring car chassis (Long Wheelbase: 257mm, Width: 195mm)

**Before beginning assembly, please read these instructions thoroughly!**

● Symbols used throughout the instruction manual, comprise:



Cut off shaded portion.



5mm  
Drill holes with  
the specified diameter.



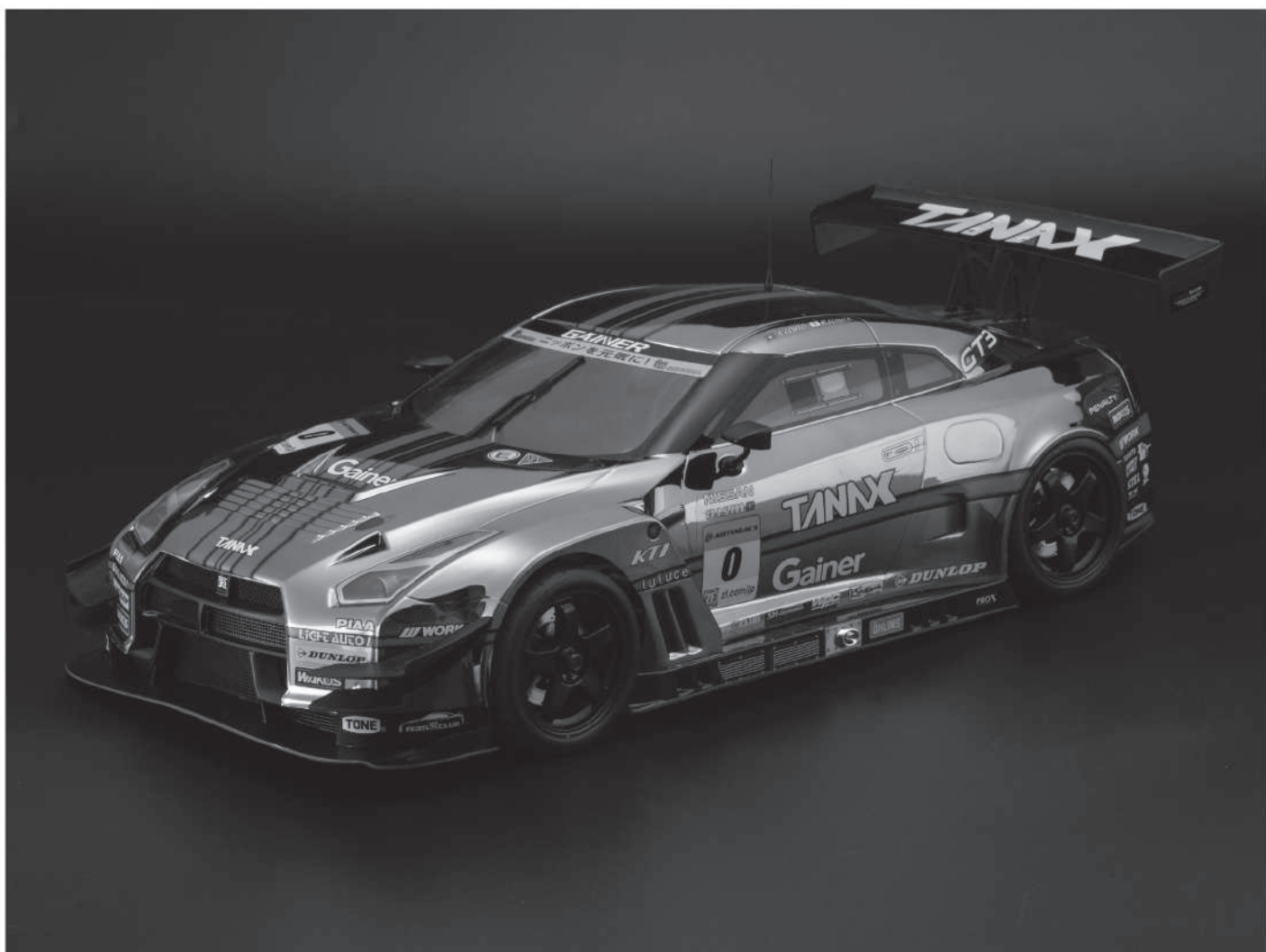
Pay close attention here!



Must be purchased  
separately.



Assemble left and right sides  
the same way.



● Before Assembly

### Decoration Body

- ▶ In the case of a decoration body, please assemble it according to the contents showed.

### When making the window transparent

- ▶ If you want to make the window transparent with a non decoration body, please assemble it according to the contents showed.

### Non Decoration Body

- ▶ In the case of non decoration body, please assemble it according to the contents showed.

### When loading LED lights

- ▶ If you want to load LED lights with a non decoration body, please assemble it according to the contents showed.

## PARTS

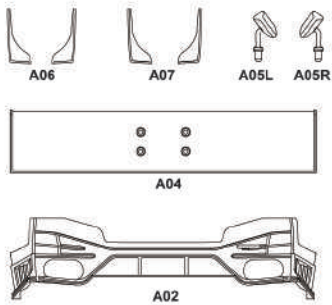
ABS parts -----X2  
 PP part -----X1  
 PC parts -----X3  
 Stainless steel air intake mesh -----X1  
 Trailer ring (red) -----X1

Body decal sheet -----X1  
 Window masks -----X1  
 Silver mirror decal -----X1  
 Screw 2.3X6mm -----X8

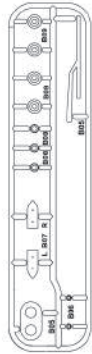
Clip -----X2  
 O-Ring -----X2  
 Antenna -----X1  
 LED stopper -----X4

## PLASTIC PARTS

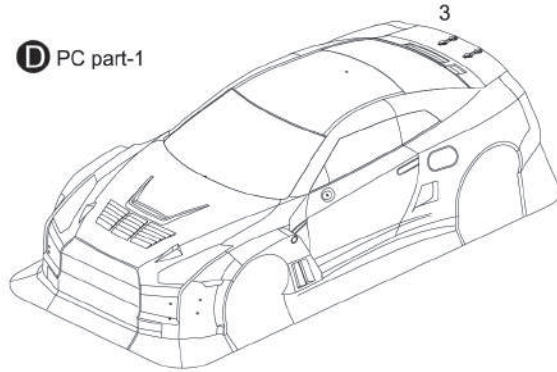
### A PP part



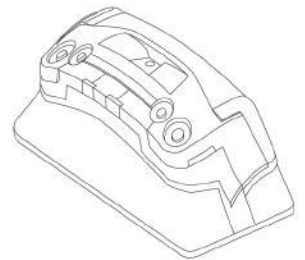
### B ABS part-1



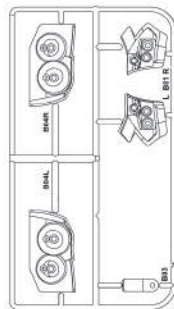
### D PC part-1



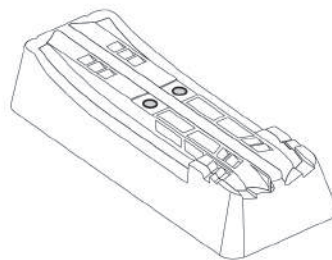
### F PC part-3



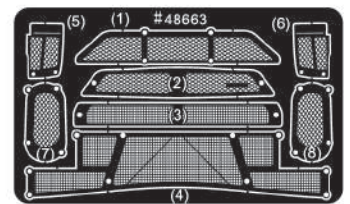
### C ABS-2 part



### E PC part-2



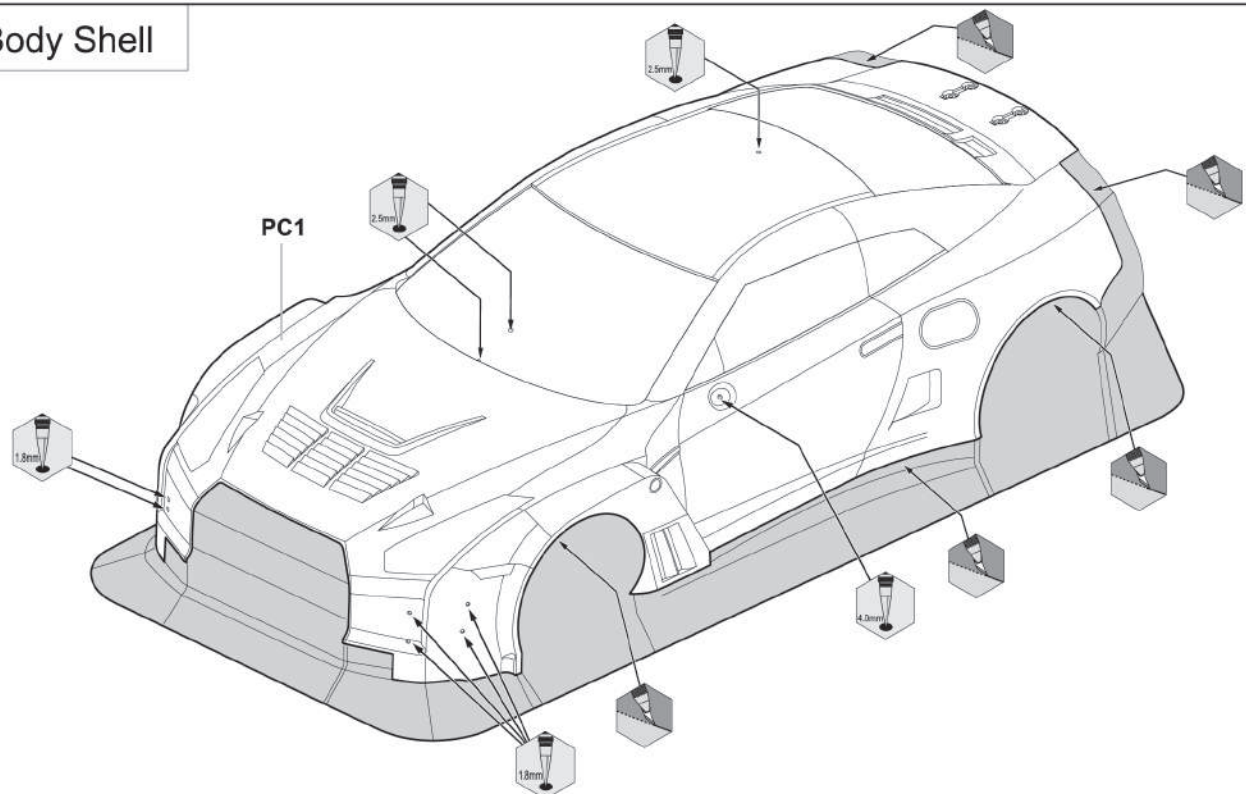
### G Stainless steel air intake mesh & Trailer ring (red)



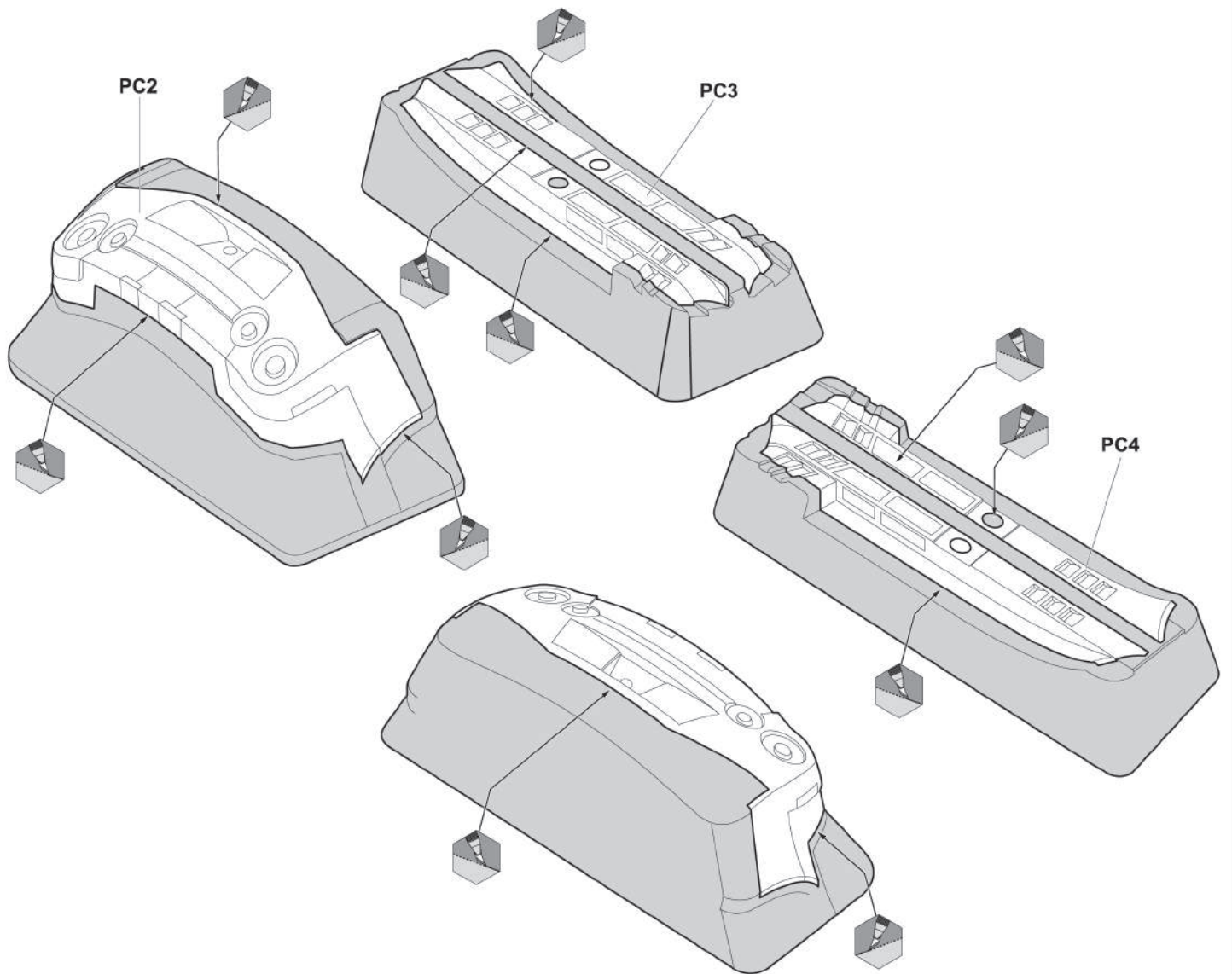
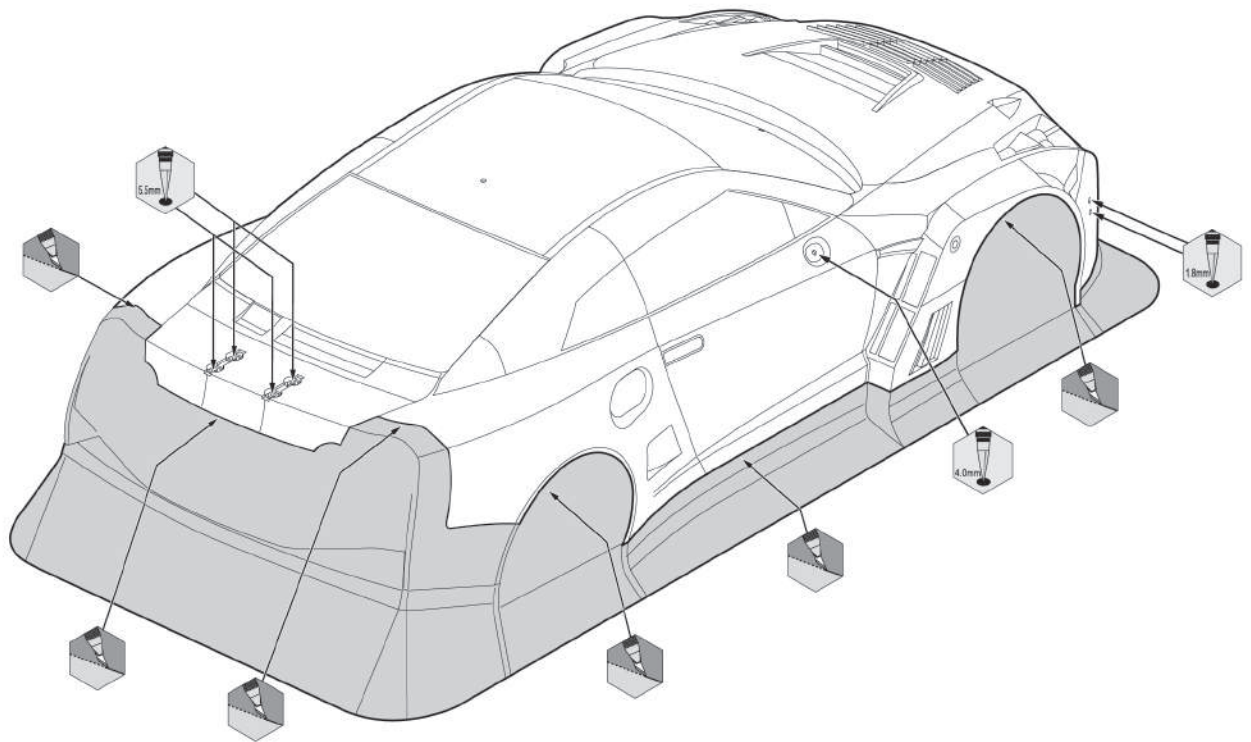
Trailer ring (red)



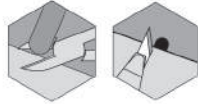
## 1 Body Shell





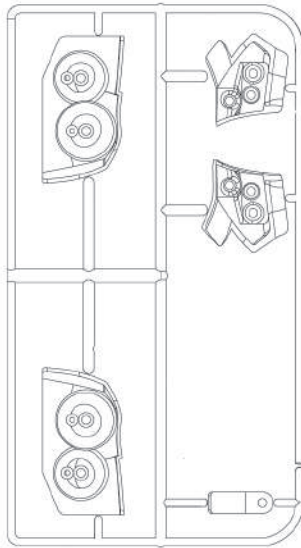


## 2 Cutting



Cut and smooth rough edge.

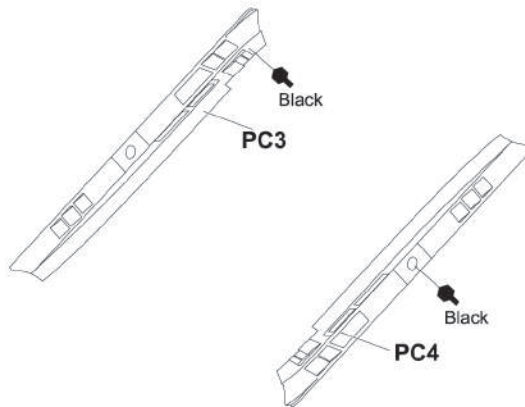
**B C**



## 3 Painting

Paint spray color what you prefer on these parts.  
It is advised use the recommended spray color as below.

**E**



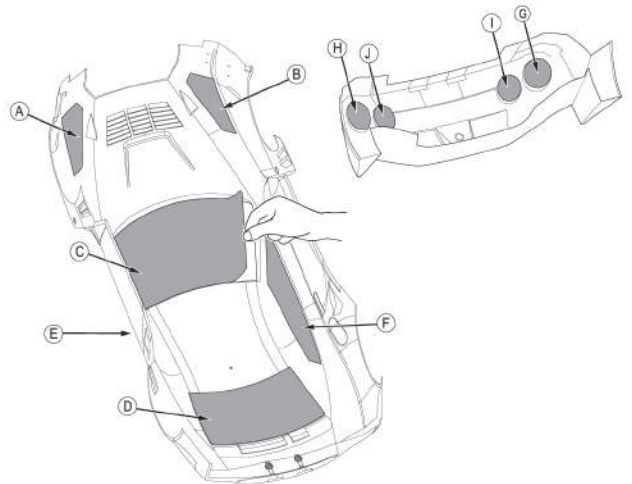
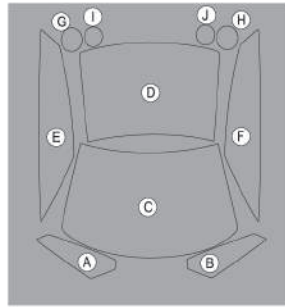
## 4 Painting

**1** Before painting, use a neutral detergent to remove any oil residues and dirt.

**D E F**



**2** Mask the parts from inside.

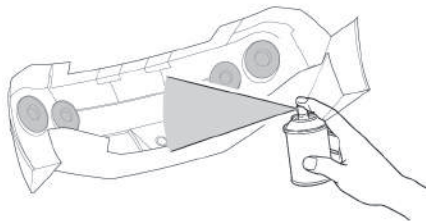
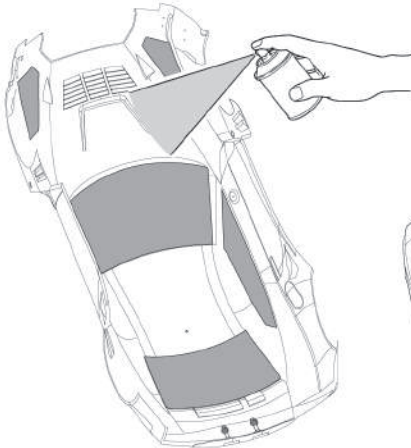


**3** Paint spray color from the inside.

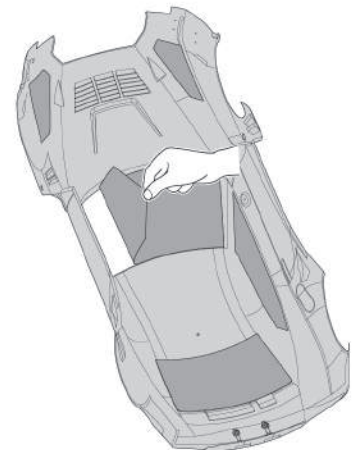
**D E F**



PC1: Paint any spray color what you like first, remove the window mask, and then paint silver spray color.



**3** After painting, remove the protective film from the body shell.



# 5 Decal

Non Decoration Body

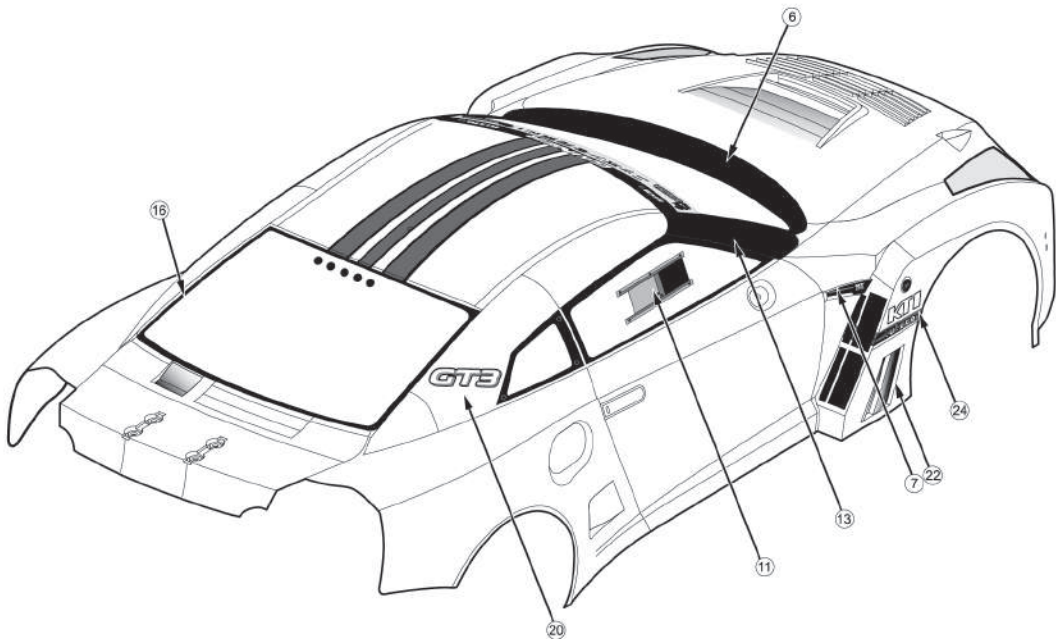
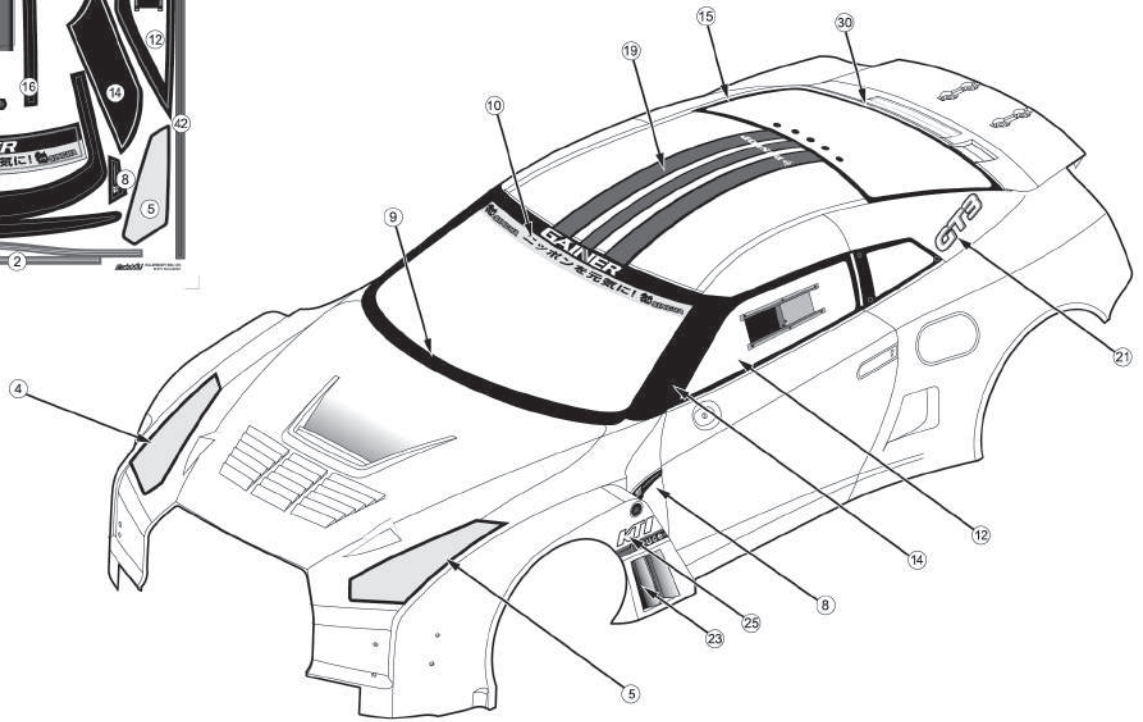
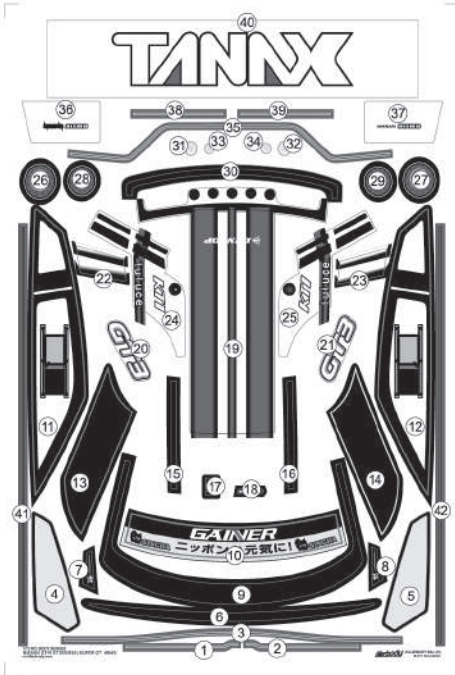
When making the window transparent

When loading LED lights

▶ The decal numbers between brackets are only for the opposite side.

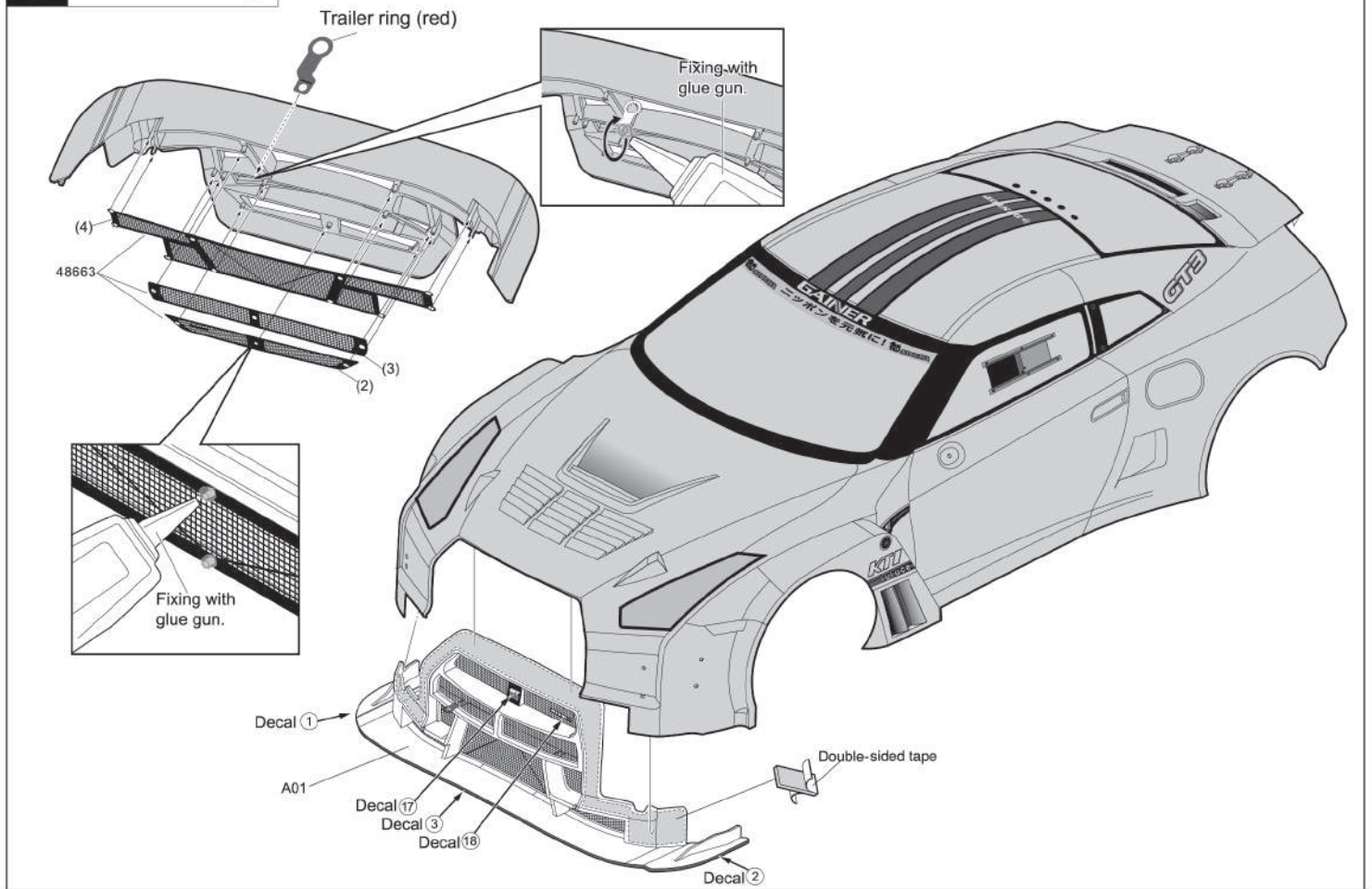
When reproducing the light by decal

▶ Change the decal according to the following contents.



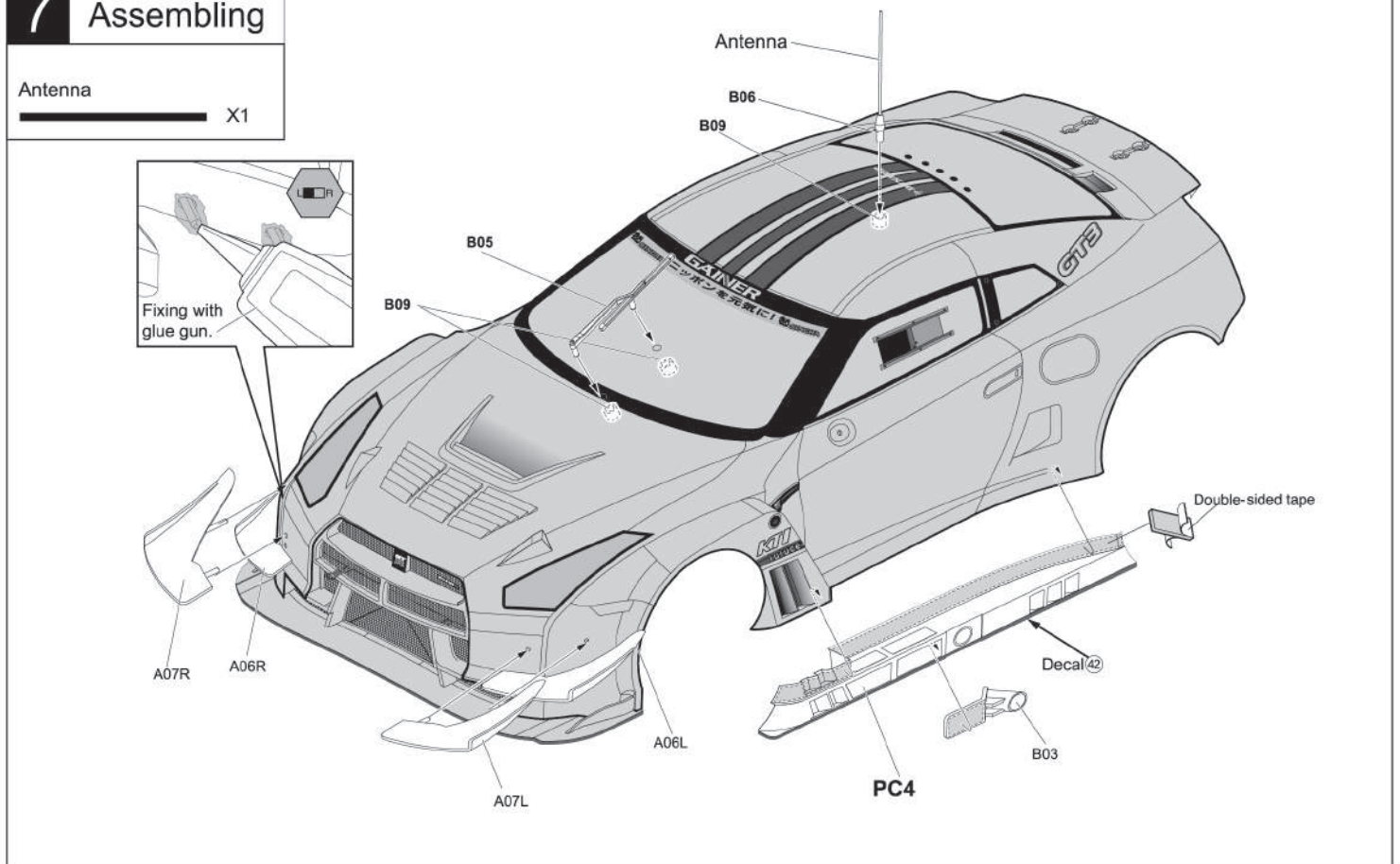


## 6 Assembling



## 7 Assembling

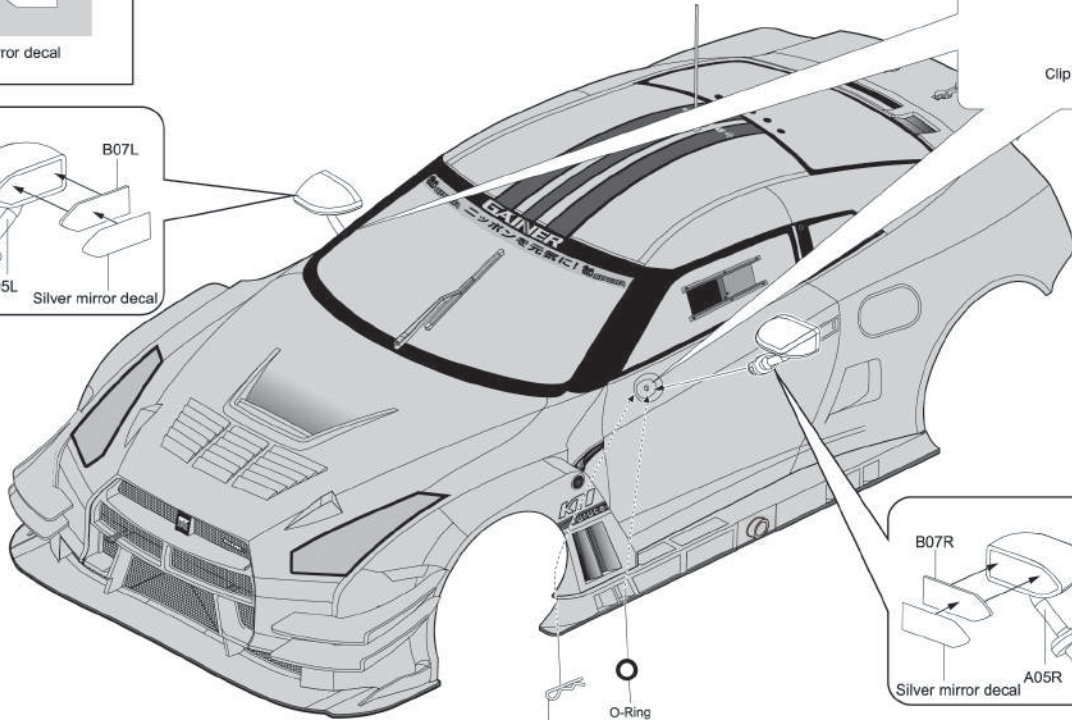
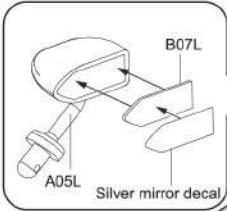
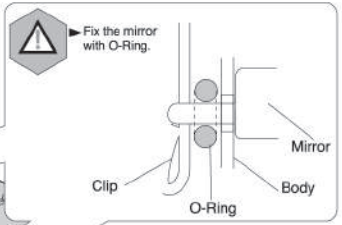
Antenna X1



# 7 Assembling

39 40

Silver mirror decal



# 8 Assembling

Decal 27  
Decal 32  
Decal 29  
Decal 34

Decal 28  
Decal 33  
Decal 31  
Decal 26

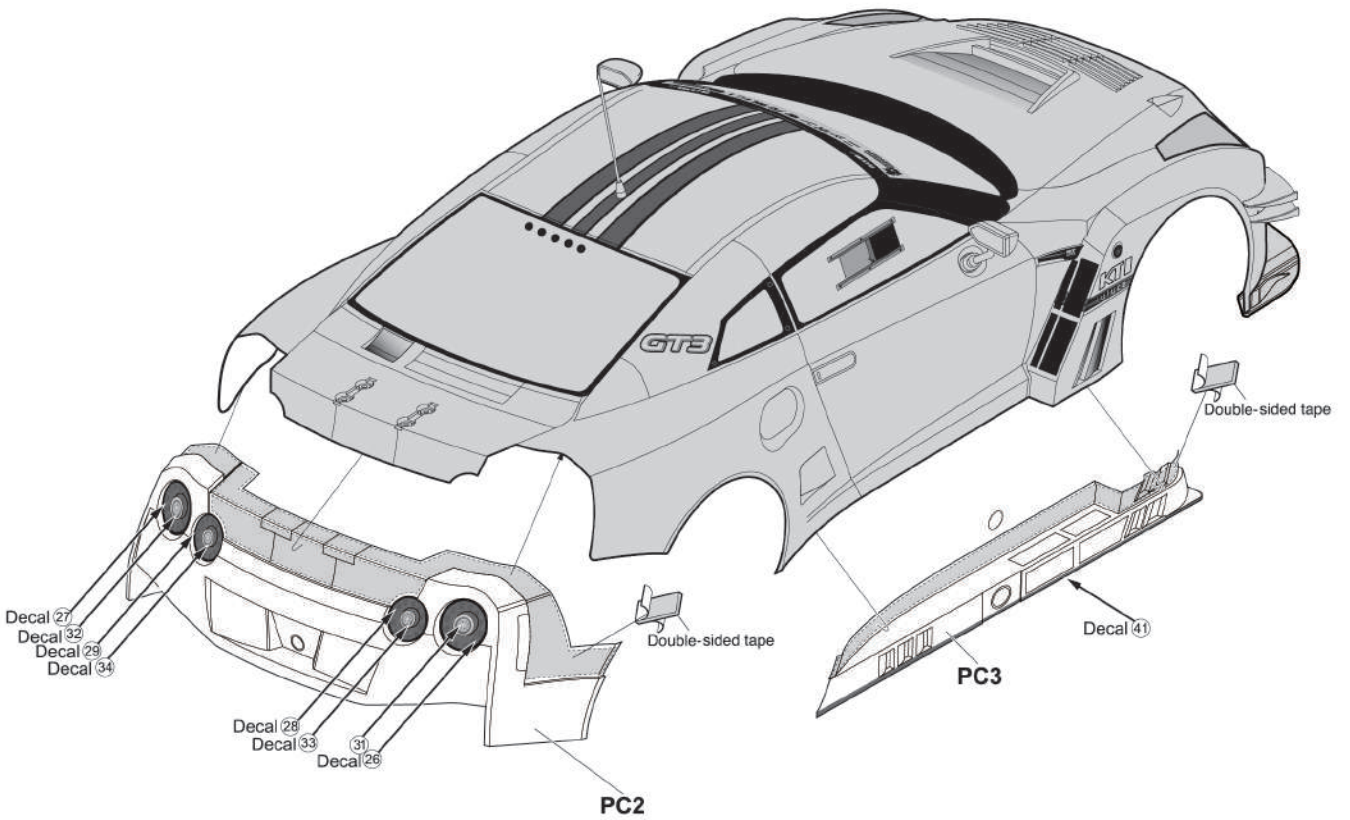
PC2

Double-sided tape

PC3

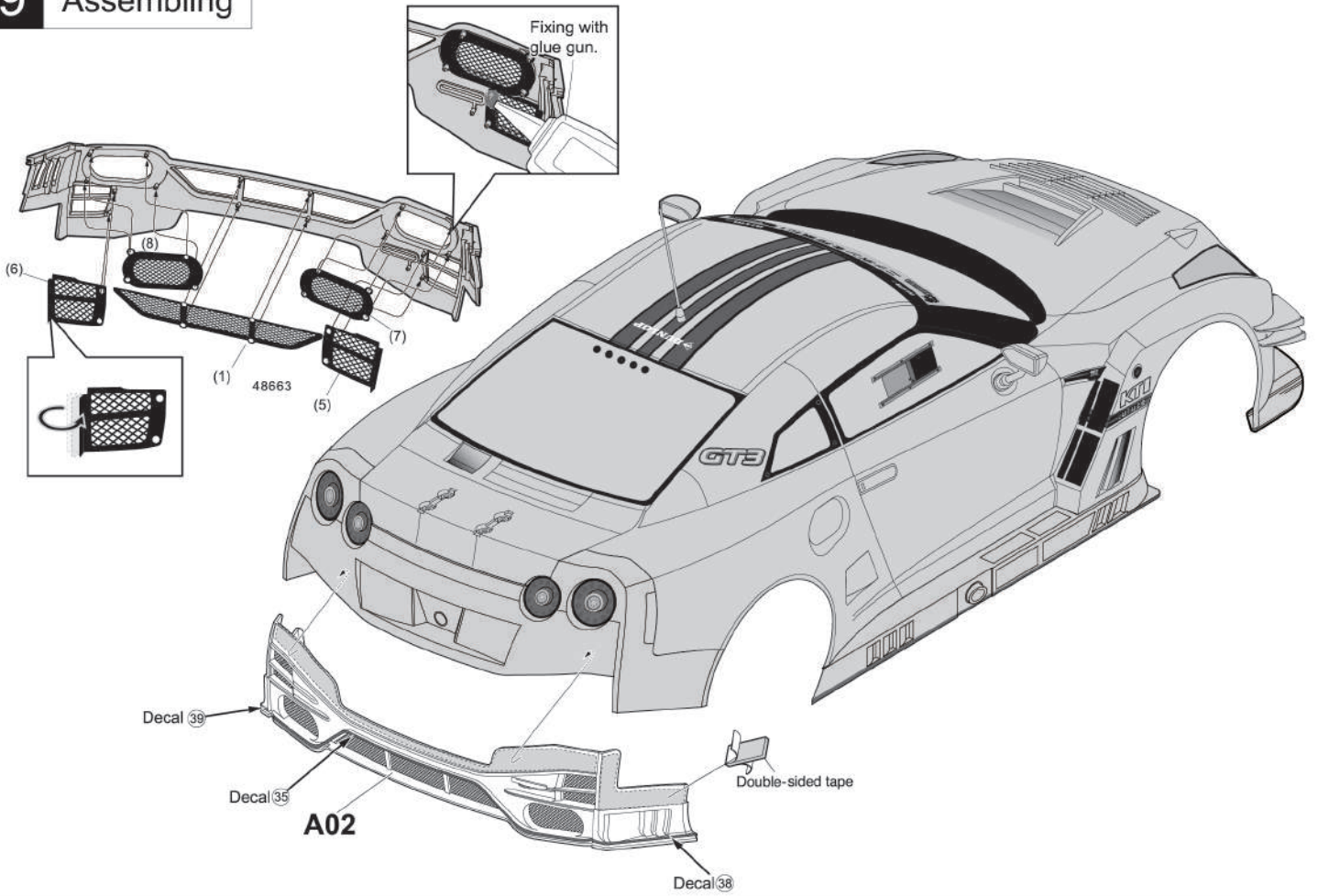
Decal 41

Double-sided tape



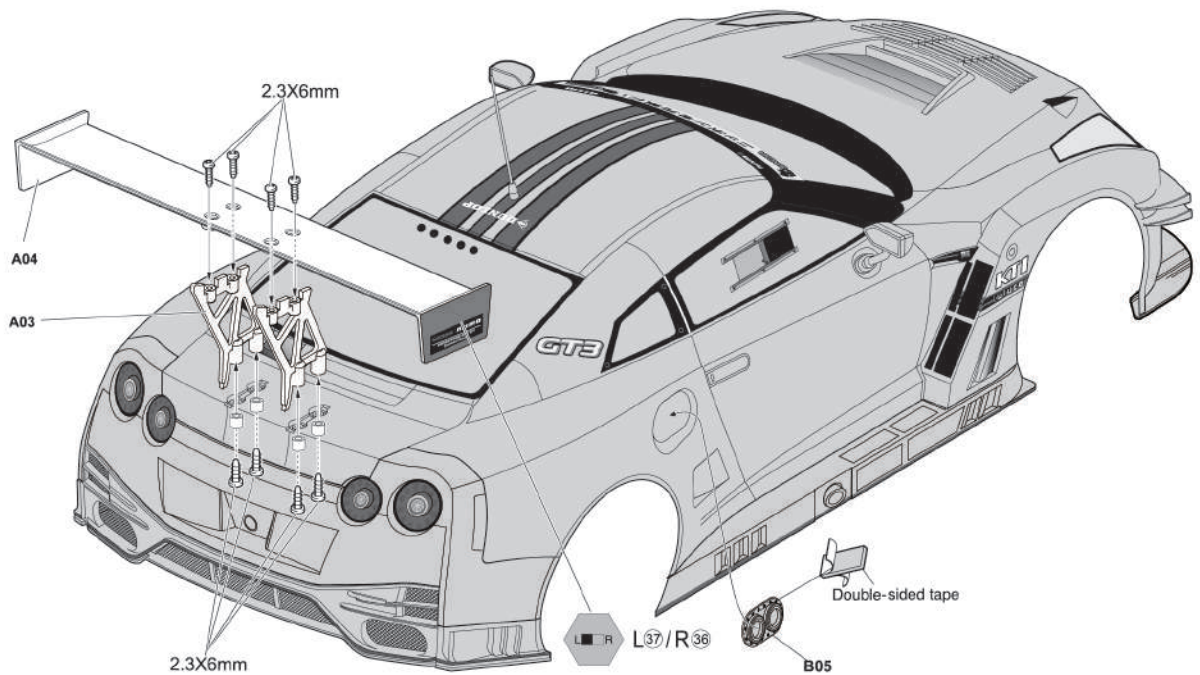


## 9 Assembling



## 10 Assembling

Screw 2.3X6mm  
 X8





# 11 Assembling

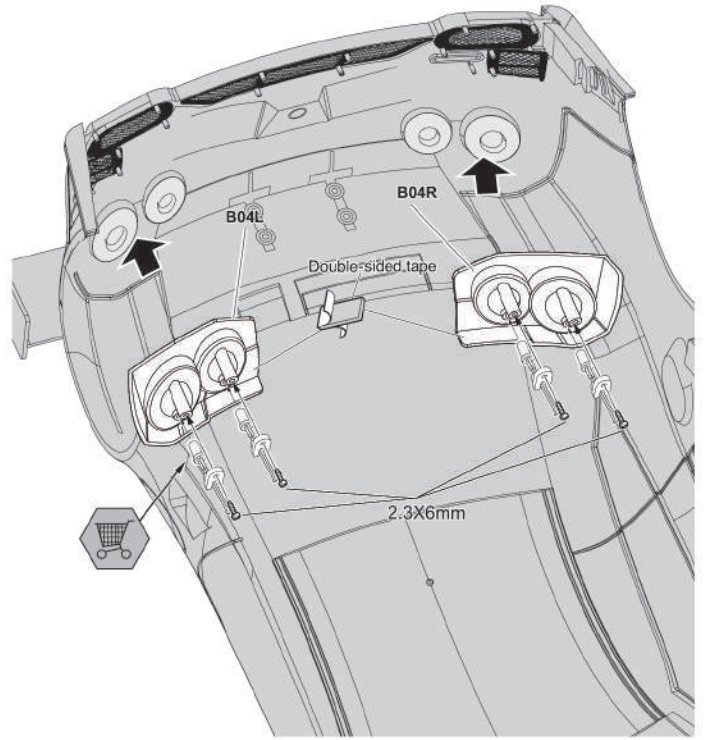
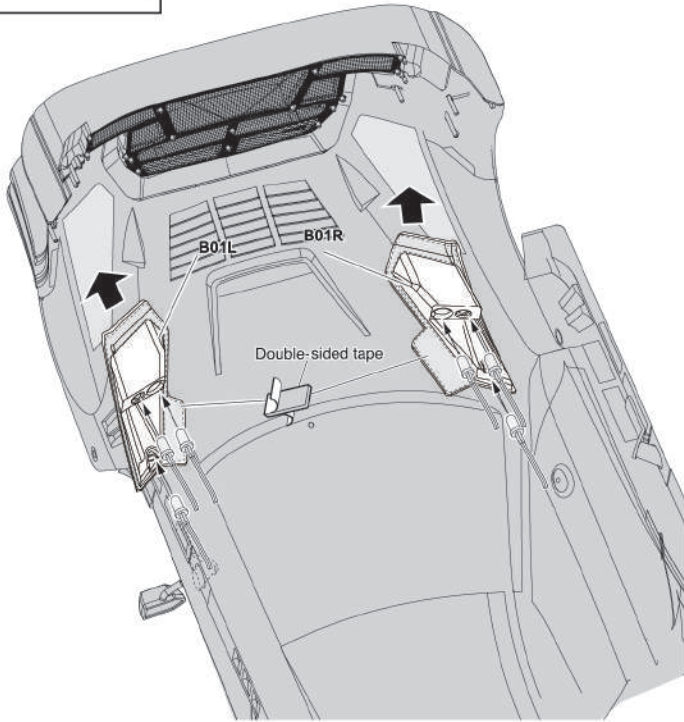


NO.48766 LED Unit Set w/Control Box 11 LEDS (3mm)

- LED stopper ..... X4
- Tapping screw 2.3X6mm ..... X10

<Front>

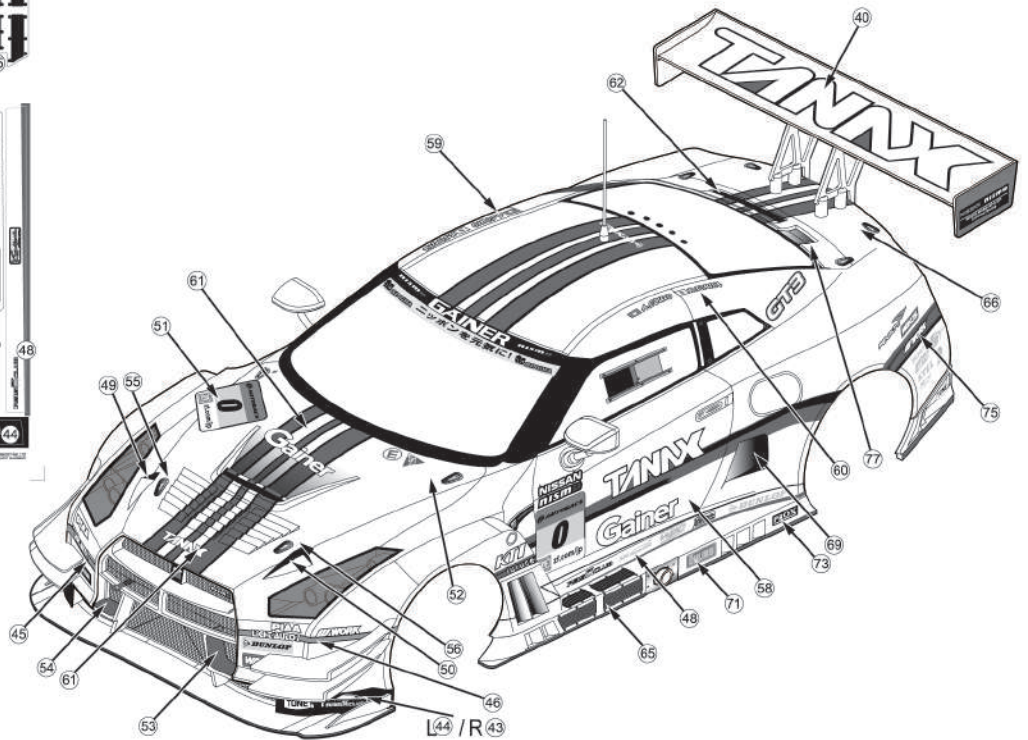
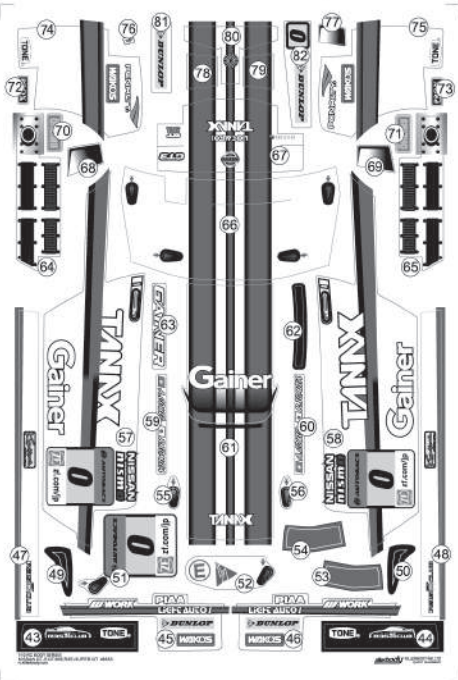
<Rear>

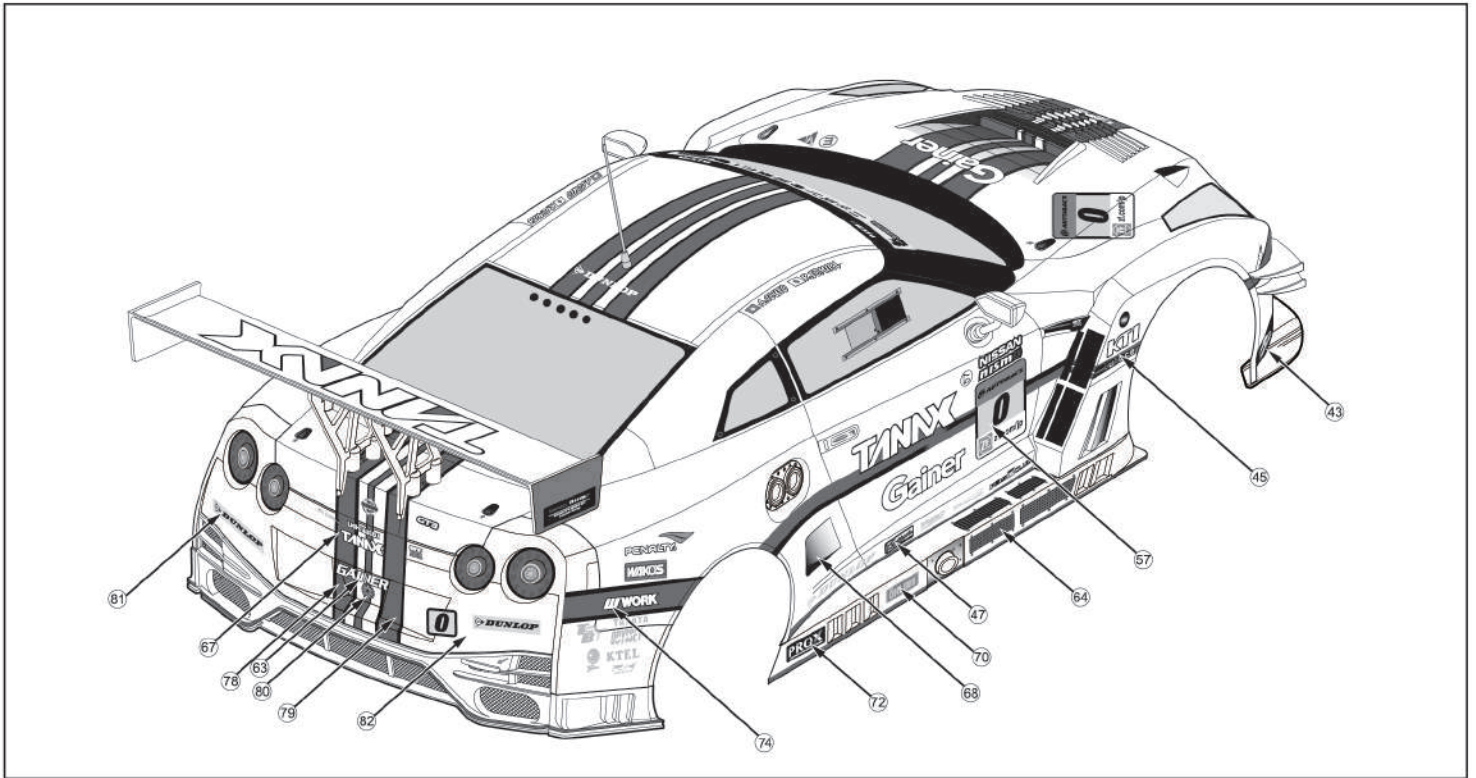


# 12 Decal



NO. 48757 Racing Decal Sheet



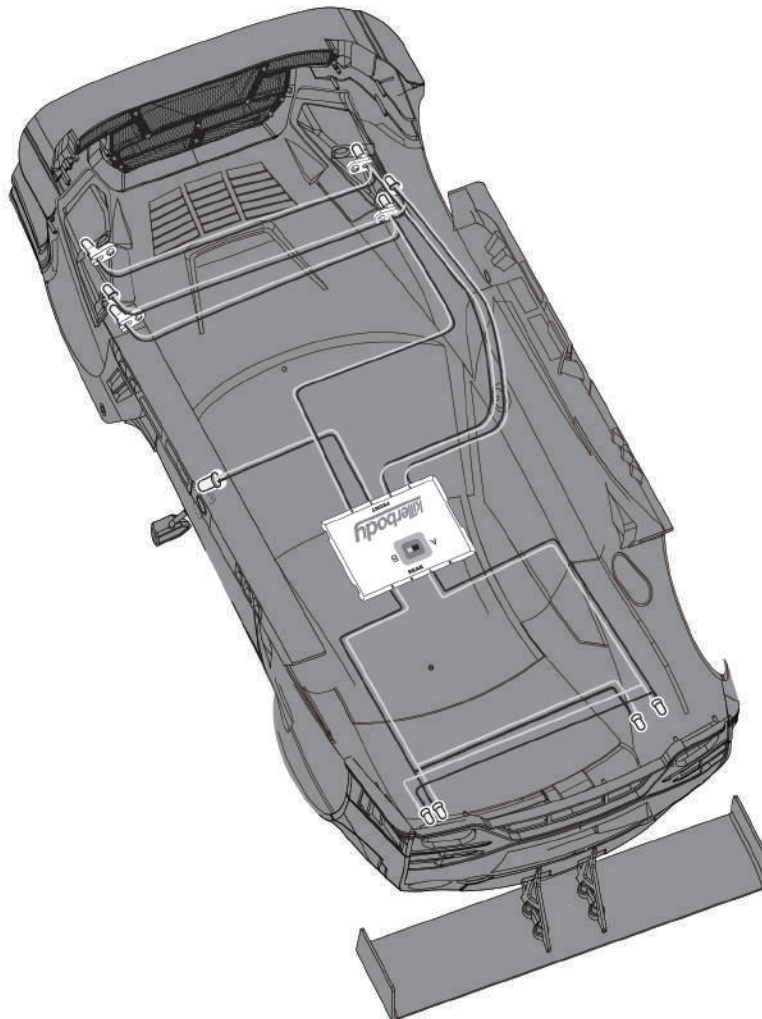


## 13 Wires Distribution



NO.48766 LED Unit Set w/Control Box 11 LEDS (3mm)

- LED1 (Yellow lights:3mm)  
 .....X2
- LED2 (White lights:3mm)  
 .....X4
- LED3 (Red lights:3mm)  
 .....X4
- LED4 (Blue lights:3mm)  
 .....X1





# 14 Finished



► For safety reasons, always fit the body shell when running your car.

