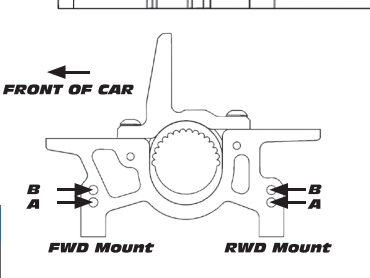


Transmitter	
Turning Circle:	full
Steering Expo:	-15
Brake E.P. :	0
Throttle Expo:	0

Motor	Gearing
lrp 4.5	20 / 87



Notes:

Front	Alignment	Rear
5.4	Ride Height	5.4
1.5	Camber	1
4	Caster	N/A
N/A	Rear Hub Toe	0
0	Toe (Total)	3
0	Hex Spacing	0
1mm	Wheelbase	1mm
7b	Steering Bellcrank	N/A
2b	Steering Link	N/A
silver + 1mm	Bumpsteer	N/A

Notes:

Suspension Geometry		
2b	Shock Position	3b
1	Camber Link Position	3a
silver + 1mm	Outer Ball & Shims	black +3mm
b0	FWD Arm Mount	b1
1mm	FWD Mount Shim	1mm
b0	RWD Arm Mount	b1
1mm	RWD Mount Shims	3mm
5	Drop	4.5
silver	Anti-Roll Bar	silver

Notes:

Shocks		
40	Oil	40
losi 57	Piston	losi 57
100%	Rebound	100%
silver	Spring	silver

Notes:

Differentials		
spool	Type	gear diff
-	Setting	1k
a	Cam Holder	a
12	Belt Tension Number	9

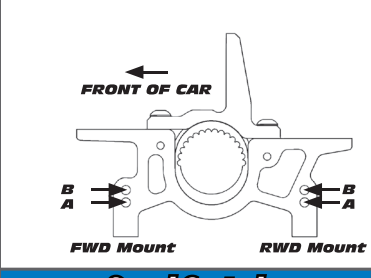
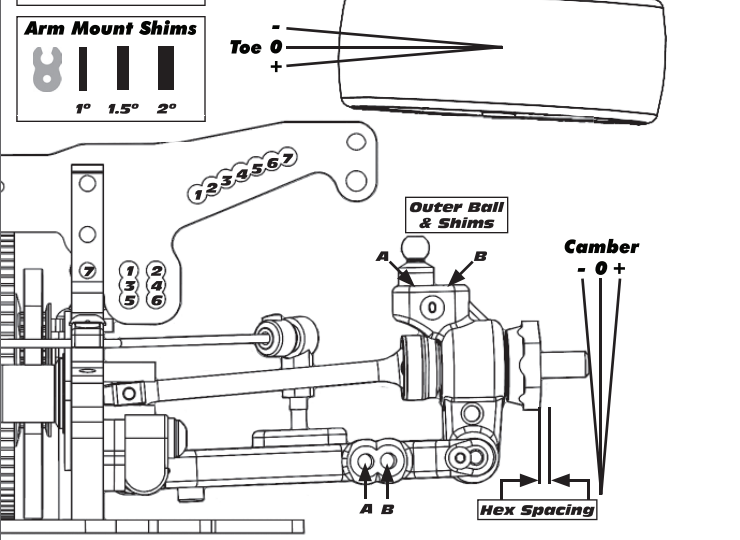
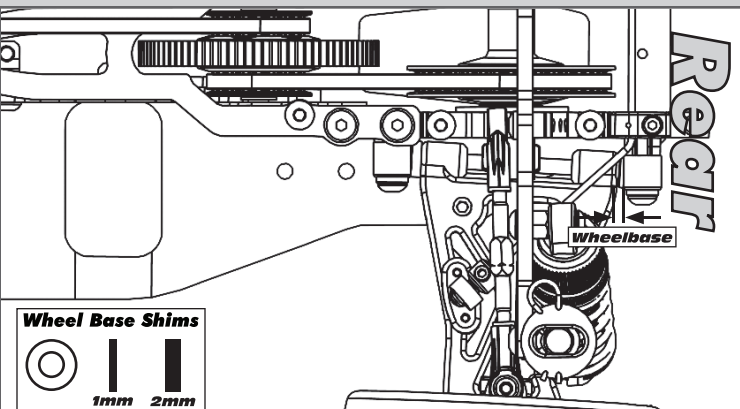
Notes:

Tires		
sorex 32	Type	sorex 32
-	Tire Diameter	-
brca pre built	Insert & Wheel	brca pre built
	Additive & Amount	

Notes:

Chassis	
Chassis:	stock
Top Plate:	stock

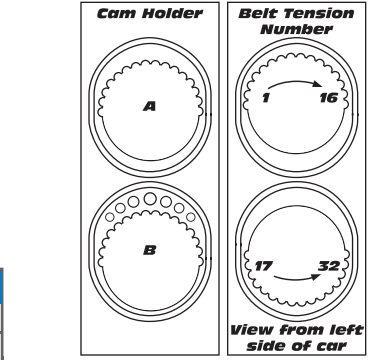
Notes:



Notes:

Speed Control	
Type:	lrp v2
Settings:	0553

Body & Wing	Battery Placement
ltrc light	reedy 5000



Notes:

mr33 wing (reg wing)	forward
----------------------	---------