

| Front | Alignment | Rear |
|------------|---------------------------|------|
| 5.2 | Ride Height | 5.2 |
| 2 | Camber | 2 |
| 6 | Caster | N/A |
| N/A | Rear Hub Toe | 0 |
| 0 | Toe (Total) | 3 |
| 0 | Hex Spacing | 0 |
| 1 | Wheelbase | 2 |
| 7b | Steering Bellcrank | N/A |
| 2b | Steering Link | N/A |
| silver 2mm | Bumpsteer | N/A |

Notes:

| Suspension Geometry | | |
|---------------------|-------------------------------|-----------|
| 5b | Shock Position | 3b |
| 1 | Camber Link Position | 3 |
| silver 1mm | Outer Ball & Shims | black 3mm |
| a3 | FWD Arm Mount | b2 |
| 2mm | FWD Mount Shim | 1mm |
| b0 | RWD Arm Mount | b2 |
| 2mm | RWD Mount Shims | 3.5mm |
| 7 | Drop | 6 |
| silver | Anti-Roll Bar | black |

Notes:

| Shocks | | |
|--------|----------------|--------|
| 35 | Oil | 35 |
| 2 | Piston | 2 |
| 0 | Rebound | 0 |
| silver | Spring | silver |

Notes:

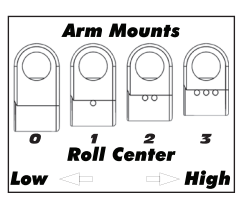
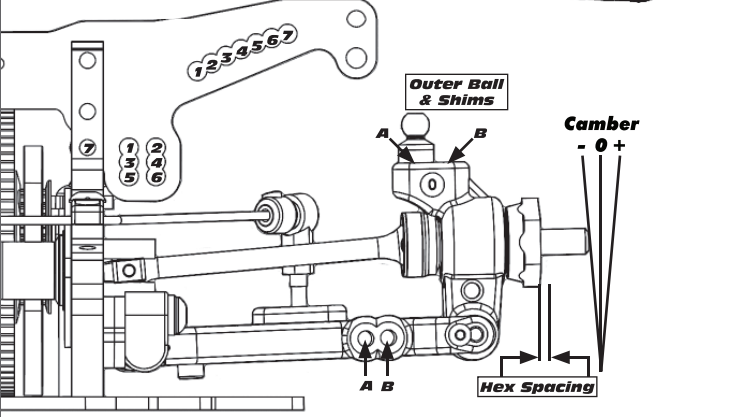
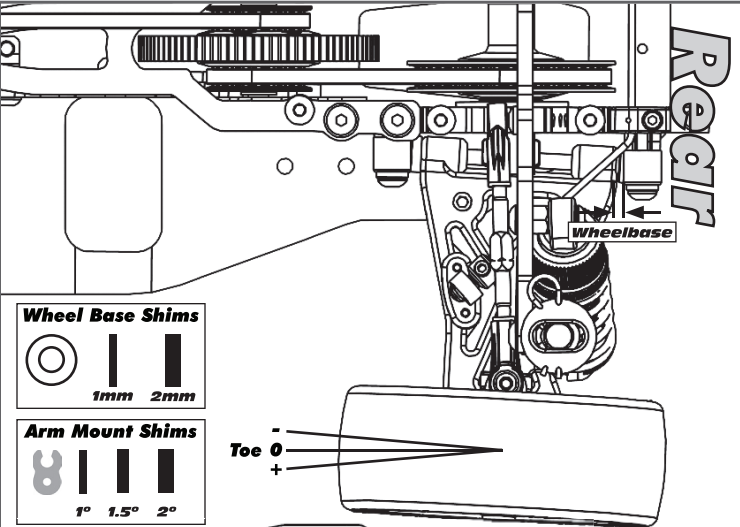
| Differentials | | |
|---------------|----------------------------|--------------|
| spool | Type | gear diff |
| | Setting | 80 shock oil |
| a | Cam Holder | a |
| 5 | Belt Tension Number | 12 |

Notes:

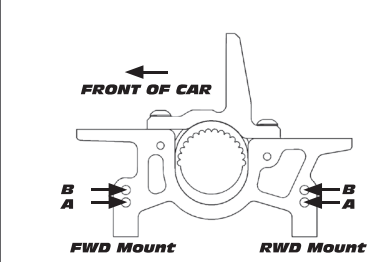
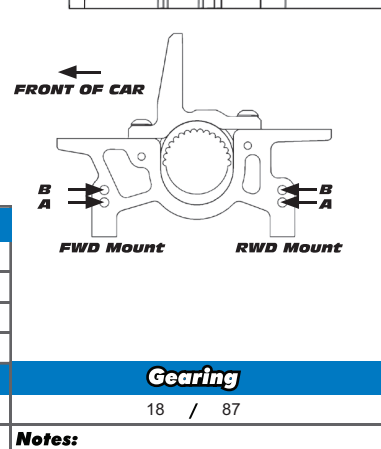
| Tires | | |
|------------|------------------------------|-----------|
| sorex 28jb | Type | sorex28jb |
| | Tire Diameter | |
| | Insert & Wheel | |
| lrp 2 | Additive & Amount | lrp2 |

Notes:

| Chassis | | |
|---------|-------------------|-------|
| | Chassis: | stock |
| | Top Plate: | stock |



| Transmitter | |
|------------------------|-------------|
| Turning Circle: | 100% |
| Steering Expo: | -15 |
| Brake E.P. : | 0 |
| Throttle Expo: | 0 |
| Motor | |
| lrp 4.5 | |
| Notes: | 0000 timing |



| Speed Control | |
|------------------|-------------------|
| Type: | lrp sxx v2 |
| Settings: | 0114 |
| Body & Wing | |
| | litr lgght weight |
| Notes: | mr33 wing |

| Battery Placement | |
|-------------------|------------|
| Notes: | reedy back |