

Transmitter	
Turning Circle:	100%
Steering Expo:	-15
Brake E.P.:	0
Throttle Expo:	0

Motor	
ltp 4.0	
Notes:	0000 timing

Gearing	
20 / 87	
Notes:	

Front	Alignment	Rear
5.7mm	<b>Ride Height</b>	5.7mm
1.5	<b>Camber</b>	1.5°
4	<b>Caster</b>	N/A
N/A	<b>Rear Hub Toe</b>	0
0	<b>Toe (Total)</b>	2.5
0	<b>Hex Spacing</b>	0
1mm	<b>Wheelbase</b>	1mm
7b	<b>Steering Bellcrank</b>	N/A
2b	<b>Steering Link</b>	N/A
1mm	<b>Bumpsteer</b>	N/A

Notes: 0.5mm on front axle for used tyres

Suspension Geometry		
3b	<b>Shock Position</b>	3b
3	<b>Camber Link Position</b>	5b
black 2m	<b>Outer Ball &amp; Shims</b>	black 3mm
b0	<b>FWD Arm Mount</b>	b0
2mm	<b>FWD Mount Shim</b>	1mm
b0	<b>RWD Arm Mount</b>	b0
2mm	<b>RWD Mount Shims</b>	3mm
5.5	<b>Drop</b>	5
silver	<b>Anti-Roll Bar</b>	black

Notes: hard parts used

Shocks		
40	<b>Oil</b>	40
2	<b>Piston</b>	2
100%	<b>Rebound</b>	100%
Pink+silver	<b>Spring</b>	silver

Notes: pink front used on new tyres silver on used

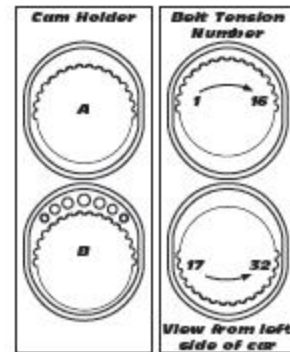
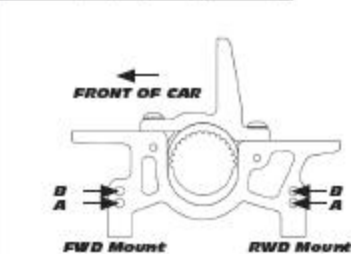
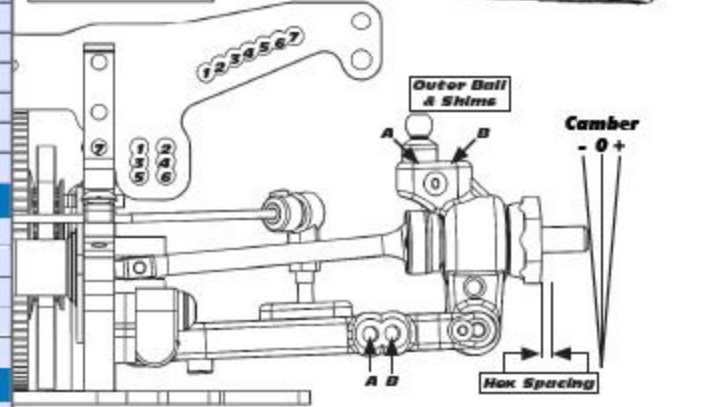
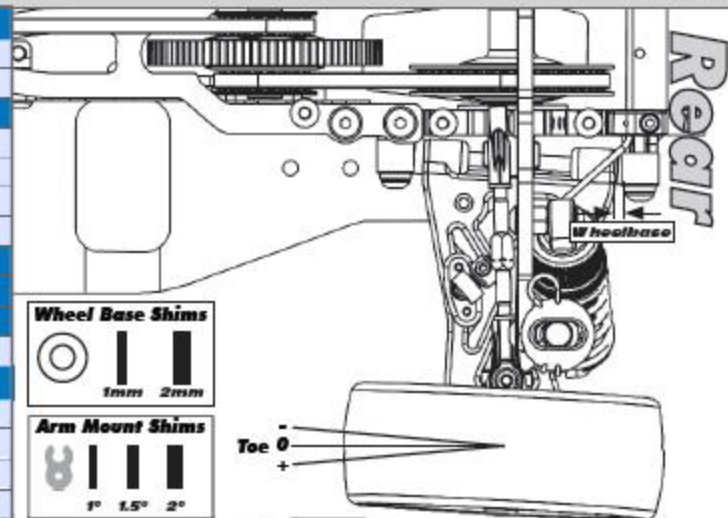
Differentials		
spool	<b>Type</b>	diff
-	<b>Setting</b>	med/loose
a	<b>Cam Holder</b>	a
5	<b>Belt Tension Number</b>	11

Notes:

Tires		
sorex 32	<b>Type</b>	sorex 32
	<b>Tire Diameter</b>	
brca	<b>Insert &amp; Wheel</b>	brca
tweak 20min	<b>Additive &amp; Amount</b>	tweak 20 min

Notes:

Chassis	
std	
std	
Notes:	



Notes:

Speed Control	
ltp v2	
0364	

Body & Wing	
ltp lightweight	
Notes:	

Battery Placement	
reedy	
Notes:	forward