

Transmitter	
Turning Circle:	100%
Steering Expo:	-15
Brake E.P.:	0
Throttle Expo:	0

Motor	
ltp 4.0	
Notes:	0000 timing

Gearing	
23 / 87	
Notes:	

Front	Alignment	Rear
6mm	<b>Ride Height</b>	6mm
1.5	<b>Camber</b>	-
6	<b>Caster</b>	N/A
N/A	<b>Rear Hub Toe</b>	0
0	<b>Toe (Total)</b>	2.5
0.5mm	<b>Hex Spacing</b>	0.5mm
1mm	<b>Wheelbase</b>	1mm
7b	<b>Steering Bellcrank</b>	N/A
2b	<b>Steering Link</b>	N/A
1mm	<b>Bumpsteer</b>	N/A

**Notes:**

Suspension Geometry		
3b	<b>Shock Position</b>	3b
1	<b>Camber Link Position</b>	3b
black 2m	<b>Outer Ball &amp; Shims</b>	black 3mm
b0	<b>FWD Arm Mount</b>	b0
2mm	<b>FWD Mount Shim</b>	1mm
b0	<b>RWD Arm Mount</b>	a3
2mm	<b>RWD Mount Shims</b>	2mm
5.5	<b>Drop</b>	5
silver	<b>Anti-Roll Bar</b>	black

**Notes:** hard parts used

Shocks		
40	<b>Oil</b>	40
2	<b>Piston</b>	2
0	<b>Rebound</b>	0
blue	<b>Spring</b>	blue

**Notes:**

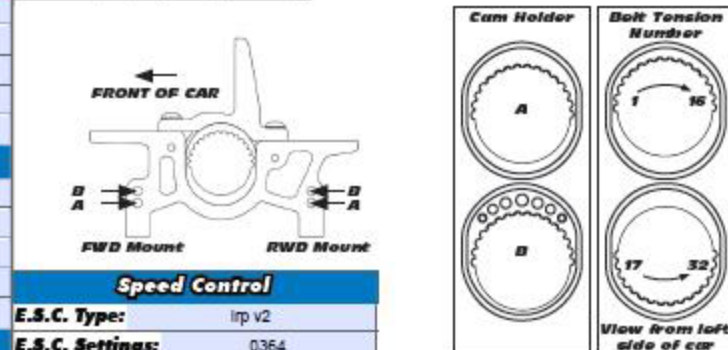
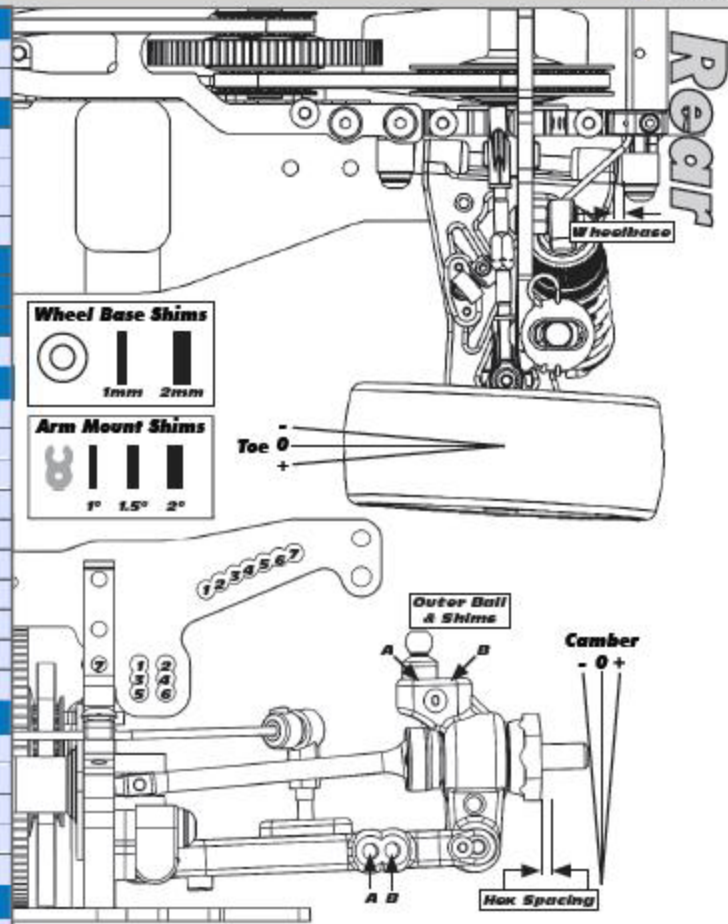
Differentials		
spool	<b>Type</b>	diff
-	<b>Setting</b>	med/loose
a	<b>Cam Holder</b>	a
21	<b>Belt Tension Number</b>	11

**Notes:**

Tires		
sorex 32	<b>Type</b>	sorex 32
	<b>Tire Diameter</b>	
brca	<b>Insert &amp; Wheel</b>	brca
tweak 20min	<b>Additive &amp; Amount</b>	tweak 20 min

**Notes:**

Chassis	
std	<b>Chassis</b>
std	<b>Top Plate</b>
Notes:	



Speed Control	
ltp v2	<b>E.S.C. Type:</b>
0364	<b>E.S.C. Settings:</b>

Body & Wing	
ltp lightweight	<b>Body &amp; Wing</b>
forward	<b>Battery Placement</b>
Notes:	