

Transmitter	
Turning Circle:	Full
Steering Expo:	-15
Brake E.P.:	0
Throttle Expo:	0
Motor	
	1ip 4.5
Notes:	0000

Gearing	
	19 / 67
Notes:	

Front	Alignment	Rear
5.2	Rido Hight	5.2
2	Camber	2
6	Caster	N/A
N/A	Rear Hub Tea	0
0	Tea (Total)	3.5
0.5	Hox Spacing	0
1	Wheelbase	2
8c	Steering Bollerank	N/A
2b	Steering Link	N/A
1mm	Bumpsteer	N/A

Notes:

Suspension Geometry		
4b	Shock Position	2b
7	Camber Link Position	3a
silver	Outer Ball & Shims	black 3mm
3a	FWD Arm Mount	0b
1mm	FWD Meunt Shim	1mm
0b	RWD Arm Mount	0b
1mm	RWD Meunt Shims	3.5
6.5	Drop	6
black	Anti-Roll Bar	N/A_Row_1

Notes:

Shocks		
40	Oil	30
2	Piston	2
25%	Rebound	25%
ae silver	Spring	ae silver

Notes: hb balders

Notes:

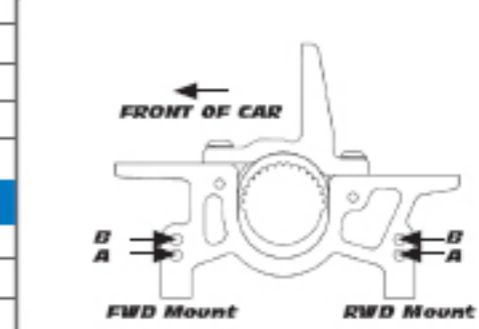
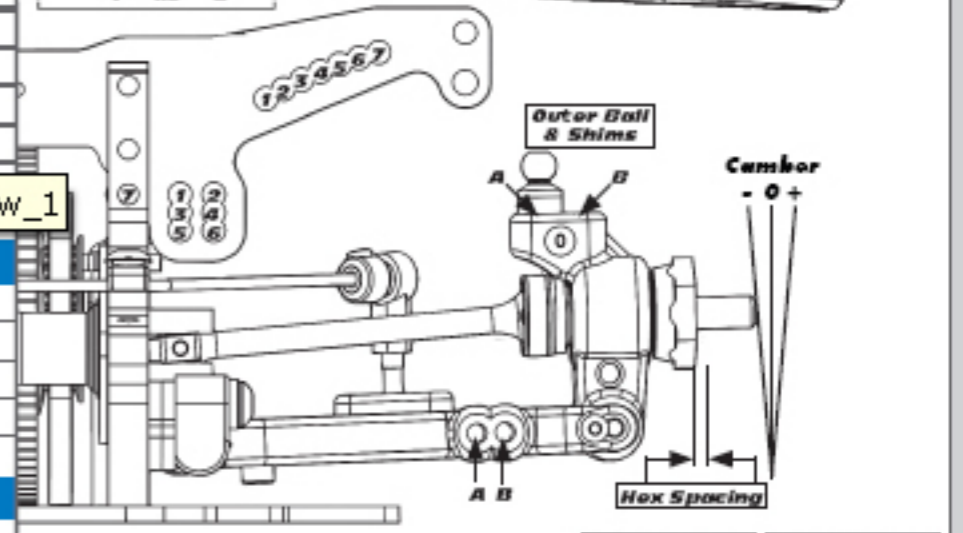
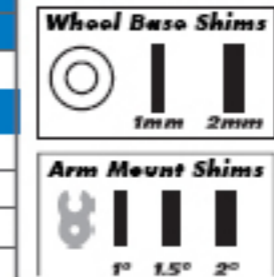
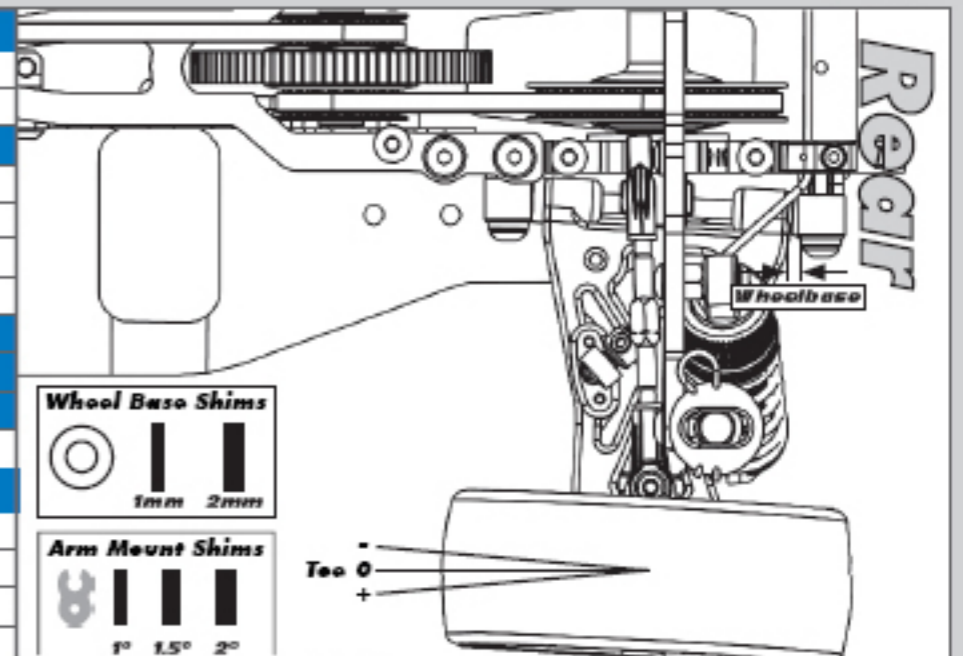
Differentials		
spool	Type	gear diff
	Setting	50 wleight oil
a	Cam Holder	a
4	Bolt Tension Number	14

Notes:

Tires		
sorex 28jb	Type	
	Tire Diameter	
	Insert & Wheel	
	Additive & Amount	

Notes:

Chassis	
Chassis	std
Top Plato	std
Notes:	



Notes:

Speed Control	
E.S.C. Type:	1ip
E.S.C. Settings:	1322
Body & Wing	
	litor light
Notes:	

Notes:

Battery Placement	
	ready 5000 forward
Notes:	