

Transmitter	
Turning Circle:	100%
Steering Expo:	-15
Brake E.P.:	0
Throttle Expo:	0

Motor	Gearing
LRP X12 10.5	21 / 87

Notes:

Front	Alignment	Rear
5.2	Ride Height	5.2
2	Camber	2
6	Caster	N/A
N/A	Rear Hub Toe	0
0	Toe (Total)	3.2
0	Hex Spacing	0
1	Wheelbase	2
7b	Steering Bellcrank	N/A
2b	Steering Link	N/A
silver+2mm	Bumpsteer	N/A

Notes:

Suspension Geometry		
3b	Shock Position	2b
1	Camber Link Position	3a
silver+1mm	Outer Ball & Shims	black+3mm
3a	FWD Arm Mount	b2
2mm	FWD Mount Shim	1mm
b0	RWD Arm Mount	b2
2mm	RWD Mount Shims	3.5mm
7	Drop	6
silver	Anti-Roll Bar	black

Notes:

Shocks		
35	Oil	35
2	Piston	2
0	Rebound	0
silver	Spring	green

Notes:

Differentials		
ae spool	Type	ae gear
	Setting	40wt
a	Cam Holder	a
teeth at top	Belt Tension Number	teeth at top

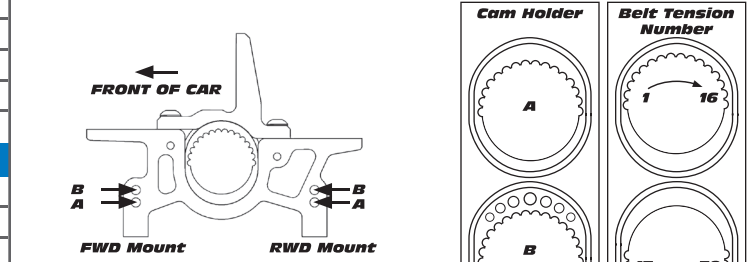
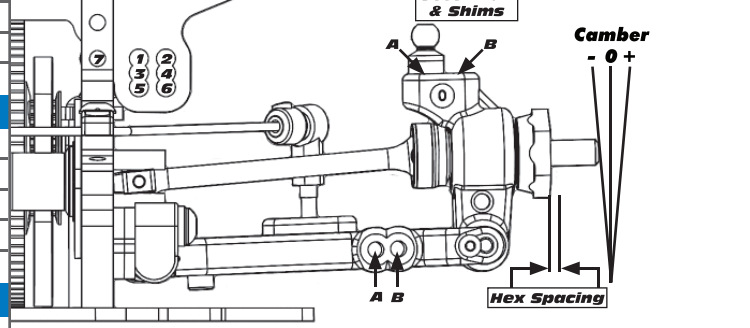
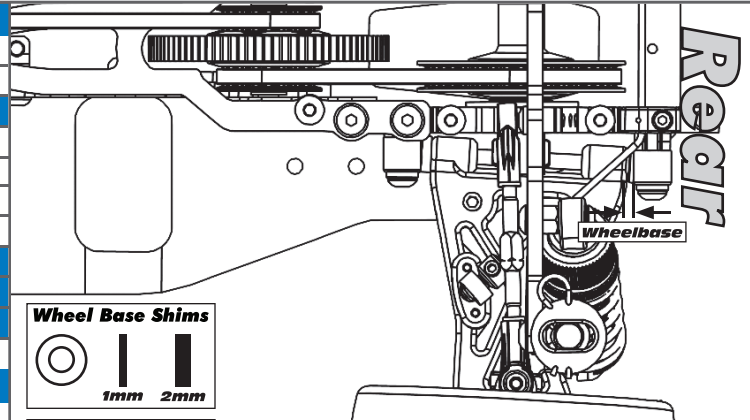
Notes:

Tires		
sorex 28jb	Type	sorex 28jb
	Tire Diameter	
	Insert & Wheel	
full	Additive & Amount	full

Notes:

Chassis	
Chassis:	stock
Top Plate:	stock

Notes:



Speed Control	
Type:	LRP V2 STOCK SXX
Settings:	0472

Body & Wing	Battery Placement
LRP V2 STOCK SXX	Reedy Back
Settings: mr33 wing	Notes:

