

# TC6 FACTORY Team Setup Sheet

Reset Form **Driver:** olly

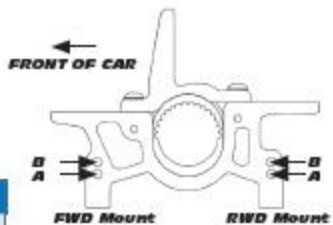
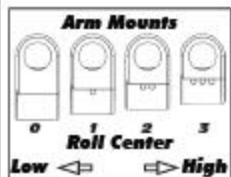
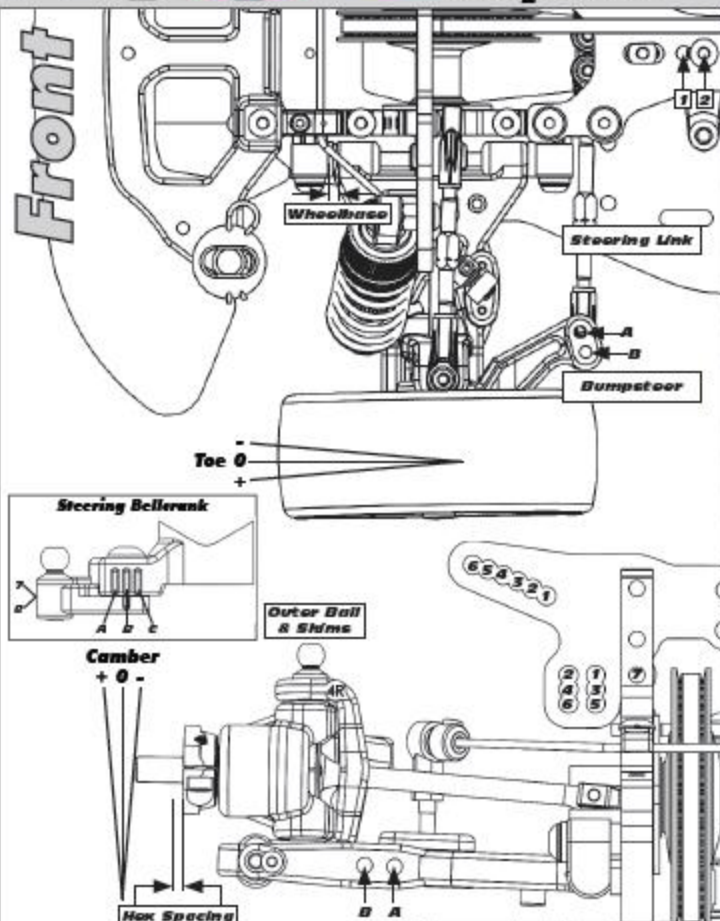
**Track:** moto arena

**Conditions:** cold, med bite

**Date:**

**Event:** btcc open

**Rev:** 1



Transmitter	
Turning Circle:	100%
Steering Expo:	-15
Brake E.P.:	0
Throttle Expo:	0

Motor	
ltp 4.0	
Notes:	0000 timing

Gearing	
20 / 67	
Notes:	

Front	Alignment	Rear
4.5mm	<b>Ride Height</b>	4.5mm
2	<b>Camber</b>	2
4	<b>Caster</b>	N/A
N/A	<b>Rear Hub Toe</b>	0
0	<b>Toe (Total)</b>	2.5
0	<b>Hex Spacing</b>	0
2	<b>Wheelbase</b>	2
7b	<b>Steering Bellcrank</b>	N/A
2b	<b>Steering Link</b>	N/A
1mm black	<b>Bumpsteer</b>	N/A

**Notes:**

Suspension Geometry		
2b	<b>Shock Position</b>	1b
3	<b>Camber Link Position</b>	5a
silver 1mm	<b>Outer Ball &amp; Shims</b>	black 3mm
b0	<b>FWD Arm Mount</b>	b0
2mm	<b>FWD Mount Shim</b>	1mm
b0	<b>RWD Arm Mount</b>	b0
2mm	<b>RWD Mount Shims</b>	3mm
6.5	<b>Drop</b>	6
silver	<b>Anti-Roll Bar</b>	black

**Notes:**

Shocks		
55	<b>Oil</b>	40
2	<b>Piston</b>	2
50%	<b>Rebound</b>	50%
silver	<b>Spring</b>	silver

**Notes:**

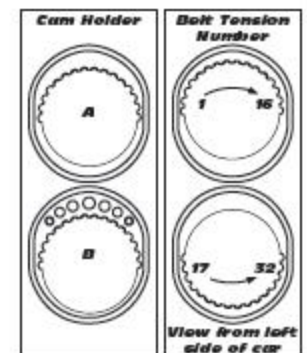
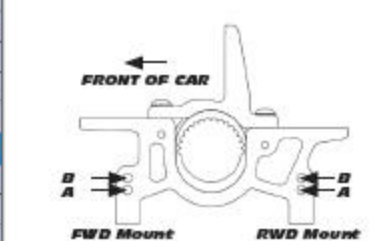
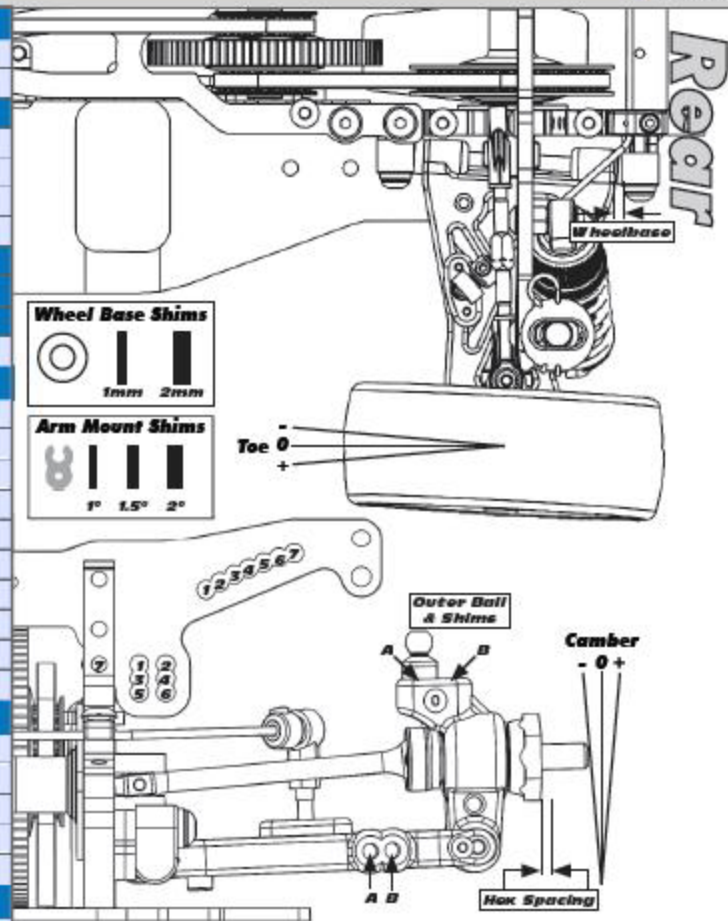
Differentials		
spool	<b>Type</b>	gear diff
800 wet n dry	<b>Setting</b>	50 weight shock oil
a	<b>Cam Holder</b>	a
5	<b>Belt Tension Number</b>	13

**Notes:**

Tires		
sorex 32	<b>Type</b>	sorex 32
	<b>Tire Diameter</b>	
brca	<b>Insert &amp; Wheel</b>	brca
11	<b>Additive &amp; Amount</b>	11

**Notes:**

Chassis	
kit	
<b>Top Plate</b>	kit
Notes:	



Speed Control	
<b>E.S.C. Type:</b>	ltp v2
<b>E.S.C. Settings:</b>	0334

Body & Wing	
ltp light	
Notes:	

Battery Placement	
reedy forward	
Notes:	

:: For more setups, visit RC10.com and click on "Racing"