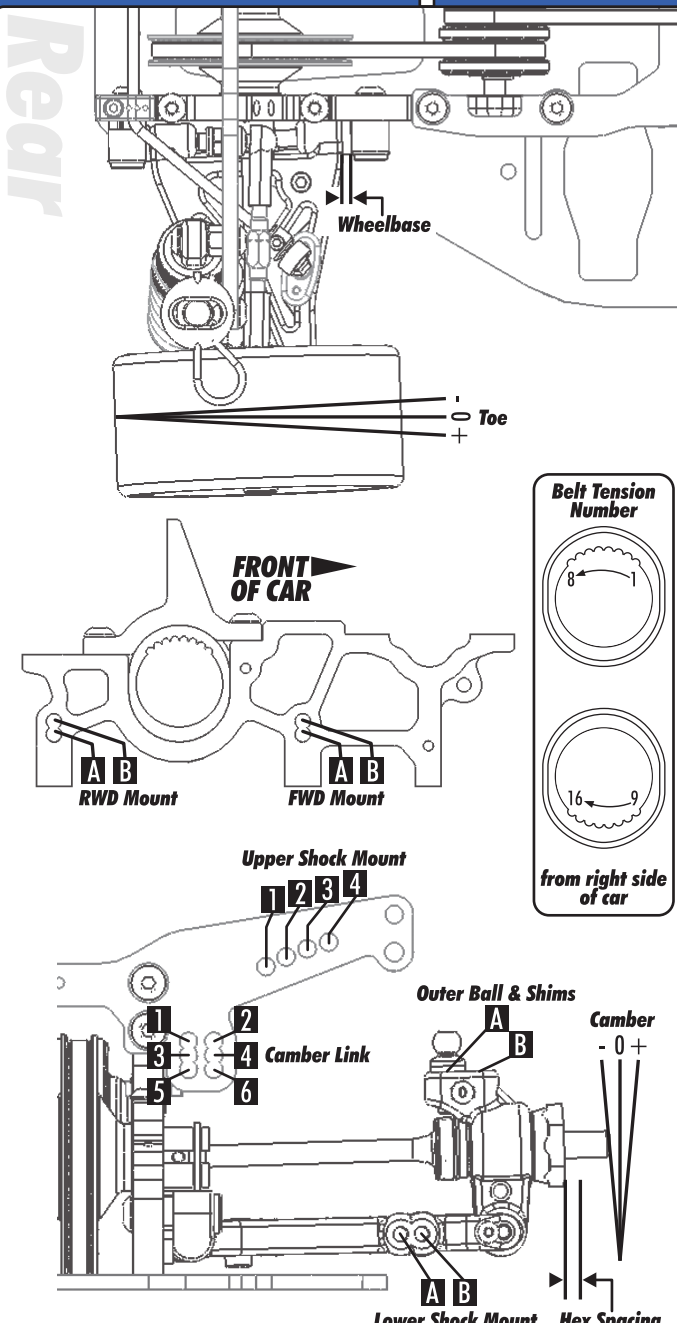


**Name:** JUHO LEVANEN  
**Event:** LRP TOURING CAR MASTERS  
**Conditions:** RUBBER TIRES ON CARPET

**Date:** 4/29/07  
**Track:**

For Team Driver's setups, please visit [www.RC10.com](http://www.RC10.com), [www.TeamAssociated.com](http://www.TeamAssociated.com) or [www.CompetitionX.com!](http://www.CompetitionX.com!)



Rear	Alignment	Front
5.0mm	Ride Height	5.0mm
-2.0°	Camber	-1.5°
N/A	Caster	4°
0°	Rear Hub Toe	N/A
3.5°	Toe	-1.5°
STD	Hex Spacing	STD
2mm	Wheelbase	2mm
N/A	Steering Link	1B
N/A	Bumpsteer	0

Notes:

Diff	Type	One-Way
Loose	Setting	---
7	Belt Tension Number	1
A	Cam Holder	A

Notes:

LRP 27	Tires	LRP 27
---	Tire Diameter	---
Premount	Insert & Wheel	Premount
Full	Additive & Amount	3/4

Notes: LRP for 20 minutes

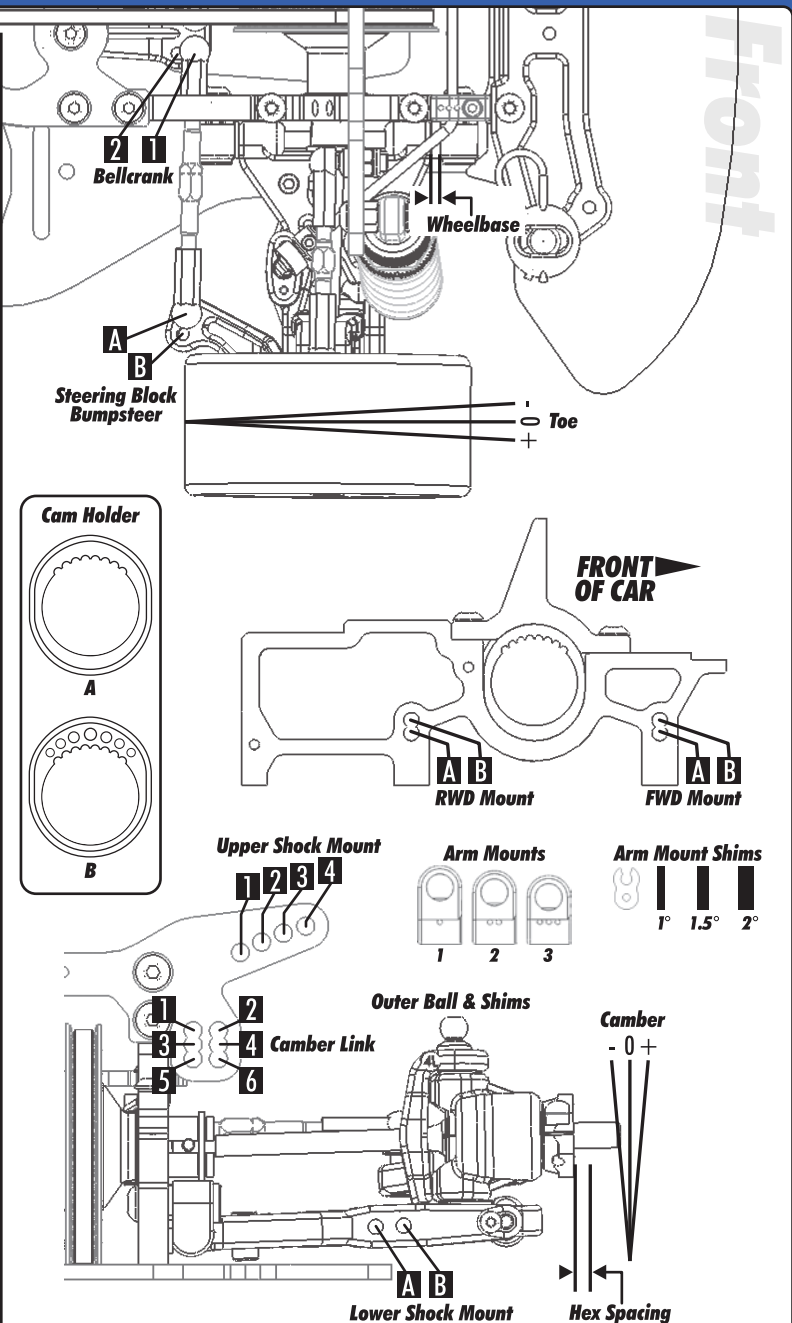
35wt	Shocks	35wt
#2	Oil	#2
25%	Piston	25%
Silver	Rebound	Blue
	Spring	

Notes: No rebound foam

Chassis:	ITF
Top Plate:	ITF
Notes:	O-Rings on rear top deck

Suspension Geometry		
3B	Shock Position	2B
3A	Camber Link Position	3
A-1mm	Outer Ball & Shims	0
2A	FWD Arm Mount	1A
0	FWD Mount Shims	0
2A	RWD Arm Mount	1A
3°	RWD Mount Shims	0
2mm	Drop	1mm
1.25	Anti-Roll Bar	1.50

Notes: Droop measured above R.H.



**Body & Wing**  
MAZDA 6 L.W.

**Battery**  
REEDY 5-CELL FWD

Motor	Gear	Brush	Spring	Timing
LRP X11 3.5T	18/93			